

In Touch



Grasso 12 Series

Reciprocating compressors for industrial refrigeration

The Grasso 12 series. A range of outstandingly reliable, open type, reciprocating refrigeration compressors. All designed to work efficiently in almost any type of industrial refrigeration installation for cooling or freezing applications. The Grasso 12 compressors have already proven themselves all over the world for many years in terms of reliability under the most demanding circumstances and with an alert eye to economics. Grasso has

paid special attention to such aspects as maintenance costs and serviceability. The Grasso 12 series offers you maximum re-liability for modest investment and maintenance costs. The Grasso 12 series is a typical example of Grasso's unique welded steel compressor design. A design contributing to a large field of operation and lower installation cost, without the need for additional water cooling circuits.

Features of Grasso 12 series

- Steel welded compressor housing
- No water cooling required
- Extensive range of single & two stage models
- Capacity control steps per cylinder
- Suitable for speed control (500 - 1000 min.⁻¹)

° In touch with our products

Technical data and features

Models	Swept Volume* (m ³ /h)	Cooling cap. (kW)**				Dimensions (mm)			Weight (kg)
		NH ₃	R22	R134a	R404a	L	W	H	
Single stage			0/+40 °C		-15/+40 °C				
Grasso 412	531	450	392	240	190	1307	1077	884	810
Grasso 612	796	675	588	360	286	1377	1171	931	1050
Grasso 912	1194	1012	882	540	429	1792	1171	931	1390
Grasso 1212	1592	1350	1176	720	572	2182	1171	931	1630

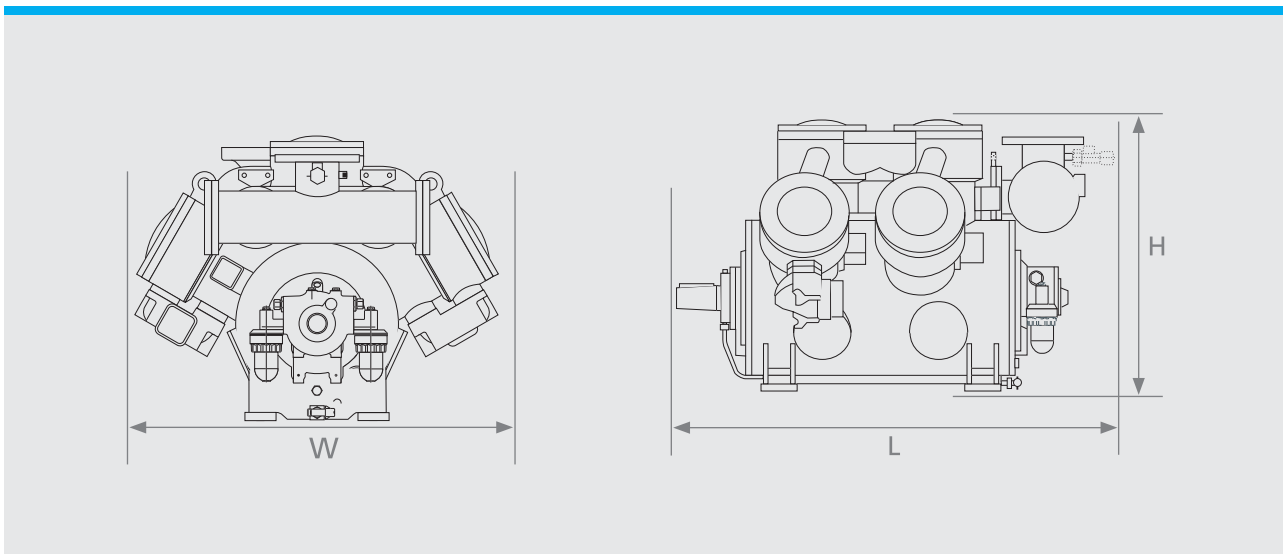
Models	Swept Volume* (m ³ /h)	Cooling cap. (kW)**				Dimensions (mm)			Weight (kg)
		NH ₃	R22	R134a	R404a	L	W	H	
Two stage***		-35/+35 °C	-40/35 °C	n.a.	-40/+35 °C				
Grasso 3112	398	86	71	-	-	1317	1077	876	885
Grasso 4212	531	125	104	-	101	1377	1171	931	1100
Grasso 5112	664	124	101	-	-	1377	1171	931	1100
Grasso 6312	796	188	158	-	154	1792	1171	931	1440
Grasso 7212	929	194	157	-	-	1792	1171	931	1440
Grasso 8412	1062	251	208	-	203	2182	1171	931	1700
Grasso 9312	1194	259	213	-	-	2182	1171	931	1700
Grasso 10212	1327	249	202	-	-	2182	1171	931	1700

* Theoretical swept volume based on max. speed of N = 1000 min.⁻¹

** Cooling capacity based on: 5K subcooling, 5K superheat, (R404a" 15K superheat)

*** NH₃ refr.: data based on openflash gas cooling and liquid expansion (Grasso System 'C')

Synt. refr.: data based on gas cooling and liquid subcooling in heat exchanger (Grasso System 'B')



GEA Refrigeration Technologies

GEA Refrigeration Netherlands N.V.

P.O. Box 343 • 5201 AH 's-Hertogenbosch • The Netherlands • Phone +31 (0)73 6203 911 • info@grasso.nl • www.grasso.nl